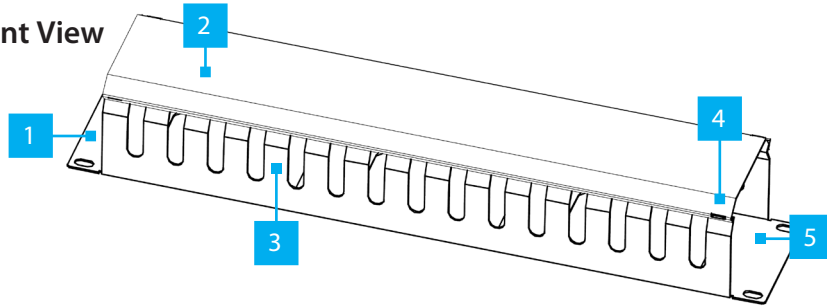


## 2U Horizontal Finger Duct Cable Management Panel for Racks - Includes Cover

### Product Diagram

CMDUCT2U

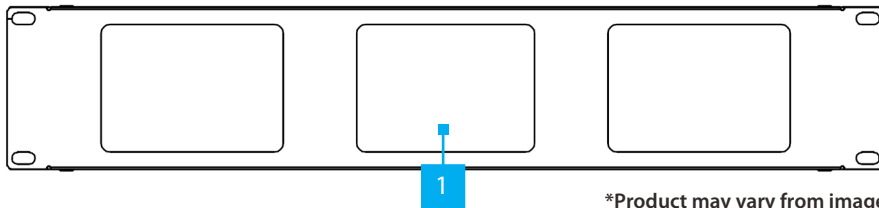
Front View



\*Product may vary from image

Component	Function
1 Mounting Ears	• Secures the <b>Duct Cable Management Panel</b> to the rack
2 Duct Cover	• Keeps cables out of the way, and it can be removed for installation or upgrades
3 Cable Management Fingers	• Allows cables to be inserted and held in place • Available along the length on both sides
4 Duct Cover Latches	• Each corner of the <b>Duct Cable Management Panel</b> has a latching mechanism that keeps the <b>Duct Cover</b> in place
5 Cable Path	• Allow the inserted cables to run off to the side of the <b>Duct Cable Management Panel</b>

Rear View



\*Product may vary from image

Component	Function
1 Pass-through Holes	• Insert the cables through the Pass-through Holes as needed

### Package Contents

- Horizontal Cable Duct x 1
- Screws x 4
- Cage Nuts x 4
- Plastic Washers x 4
- Quick-Start Guide x 1

### Requirements

For the latest manuals, product information, technical specifications, and declarations of conformance, please visit: [www.startech.com/CMDUCT2U](http://www.startech.com/CMDUCT2U)

- Phillips head screwdriver
- Cage nut tool (Optional)

### Installation

1. Determine the **U Height Number** or **Mounting Location** on the **Posts** of the rack where to install the **Duct Cable Management Panel**.
2. Install the **Cage Nuts** (x 4) onto the **Cage Nut Holes** on the chosen **U Height Number**. Use a **Cage Nut Tool** if available or your preferred installation method.
3. Align the **Mounting Ears** with the previously inserted **Cage Nuts** on the rack posts.
4. Insert the **Plastic Washers** (x 4) onto the **Screws** (x 4). Use a **Phillips Head Screwdriver** to install the **Screws** (x 4) and fasten the **Duct Cable Management Panel** to the **Mounting Posts** of the rack.

### Operation

1. Insert the cables through the **Cable Management Fingers** and the **Pass-through Holes** at the rear. Organize as desired.
2. Latch and secure the **Duct Cover** using the **Duct Cover Latches** (x 4).

## Regulatory Compliance

### Use of Trademarks, Registered Trademarks, and other Protected Names and Symbols

This manual may make reference to trademarks, registered trademarks, and other protected names and/or symbols of third-party companies not related in any way to StarTech.com. Where they occur these references are for illustrative purposes only and do not represent an endorsement of a product or service by StarTech.com, or an endorsement of the product(s) to which this manual applies by the third-party company in question. StarTech.com hereby acknowledges that all trademarks, registered trademarks, service marks, and other protected names and/or symbols contained in this manual and related documents are the property of their respective holders.

PHILLIPS® is a registered trademark of Phillips Screw Company in the United States or other countries.

### Warranty Information

This product is backed by a two-year warranty.

For further information on product warranty terms and conditions, please refer to [www.startech.com/warranty](http://www.startech.com/warranty).

## Limitation of Liability

In no event shall the liability of StarTech.com Ltd. and StarTech.com USA LLP (or their officers, directors, employees or agents) for any damages (whether direct or indirect, special, punitive, incidental, consequential, or otherwise), loss of profits, loss of business, or any pecuniary loss, arising out of or related to the use of the product exceed the actual price paid for the product. Some states do not allow the exclusion or limitation of incidental or consequential damages. If such laws apply, the limitations or exclusions contained in this statement may not apply to you.



[www.quefairedemesdechets.fr](http://www.quefairedemesdechets.fr)

**StarTech.com Ltd.**  
45 Artisans Crescent  
London, Ontario  
N5V 5E9  
Canada

**StarTech.com LLP**  
4490 South Hamilton  
Road  
Groveport, Ohio  
43125  
U.S.A.

**StarTech.com Ltd.**  
Unit B, Pinnacle 15  
Gowerton Road  
Brackmills,  
Northampton  
NN4 7BW  
United Kingdom

**StarTech.com Ltd.**  
Siriusdreef 17-27  
2132 WT Hoofddorp  
The Netherlands

FR: [startech.com/fr](http://startech.com/fr)  
DE: [startech.com/de](http://startech.com/de)  
ES: [startech.com/es](http://startech.com/es)  
NL: [startech.com/nl](http://startech.com/nl)  
IT: [startech.com/it](http://startech.com/it)  
JP: [startech.com/jp](http://startech.com/jp)