

FPMA-HAW050

NEOMOUNTS BY NEWSTAR MEDICAL WALL

SPECIFICATIONS

GENERAL

Min. screen size*	10 inch
Max. screen size*	40 inch
Min. weight	0 kg (per screen)
Max. weight	10 kg (per screen)
Screens	1
VESA minimum	100x100 mm
VESA maximum	400x400 mm

FUNCTIONALITY

Type	Tilt Rotate Swivel
Depth adjustment	15-102 cm
Tilt (degrees)	30°
Swivel (degrees)	180°
Rotate (degrees)	360°
Pivot points	3

INFORMATION

Color	White
Main material	Steel
Warranty	5 year
EAN code	8717371446925

*Please note: The inch sizes stated are just an indication, combined with the weight and VESA sizes. The maximum weight and VESA size are absolute restrictions for the products and should not be exceeded.



Neomounts



Neomounts

Neomounts by Newstar Medical Monitor Wall Mount (Full Motion) for 10"-40" Screen - White

The Neomounts by Newstar wall mount, model FPMA-HAW050 is a tilt-, turn- and swivel wall mount for medical flat screens up to 40". This mount is a great choice for space saving placement or when ceiling mounting and floor placement is not an option.

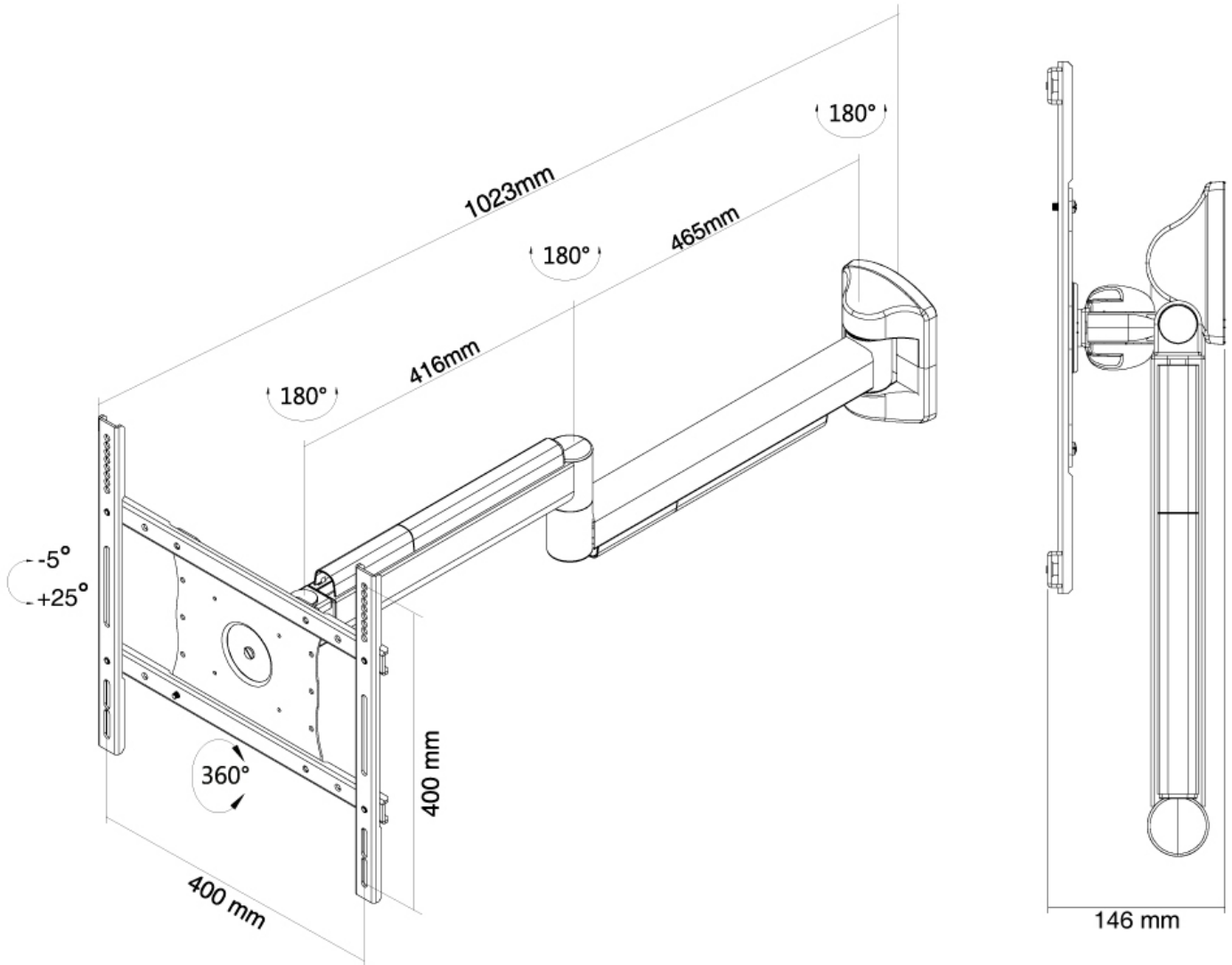
Neomounts by Newstars' unique tilt (30°), turn (360°) and swivel (180°) technology allows the mount to change to any viewing angle to fully benefit from the capabilities of the flat screen. The support is easily depth adjustable from 15 to 102 centimetres. An innovative cable management conceals and routes cables from mount to flat screen. Hide your cables to keep the workplace nice and tidy.

Neomounts by Newstar FPMA-HAW050 has three pivot points and is suitable for screens up to 40" (102 cm). The weight capacity of this product is 10 kg. The wall mount is suitable for screens that meet VESA hole pattern 100x100 to 400x400mm. Different hole patterns can be covered using Neomounts by Newstar VESA adapter plates.

All installation material is included with the product.

FPMA-HAW050

NEOMOUNTS BY NEWSTAR MEDICAL WALL



Neomounts