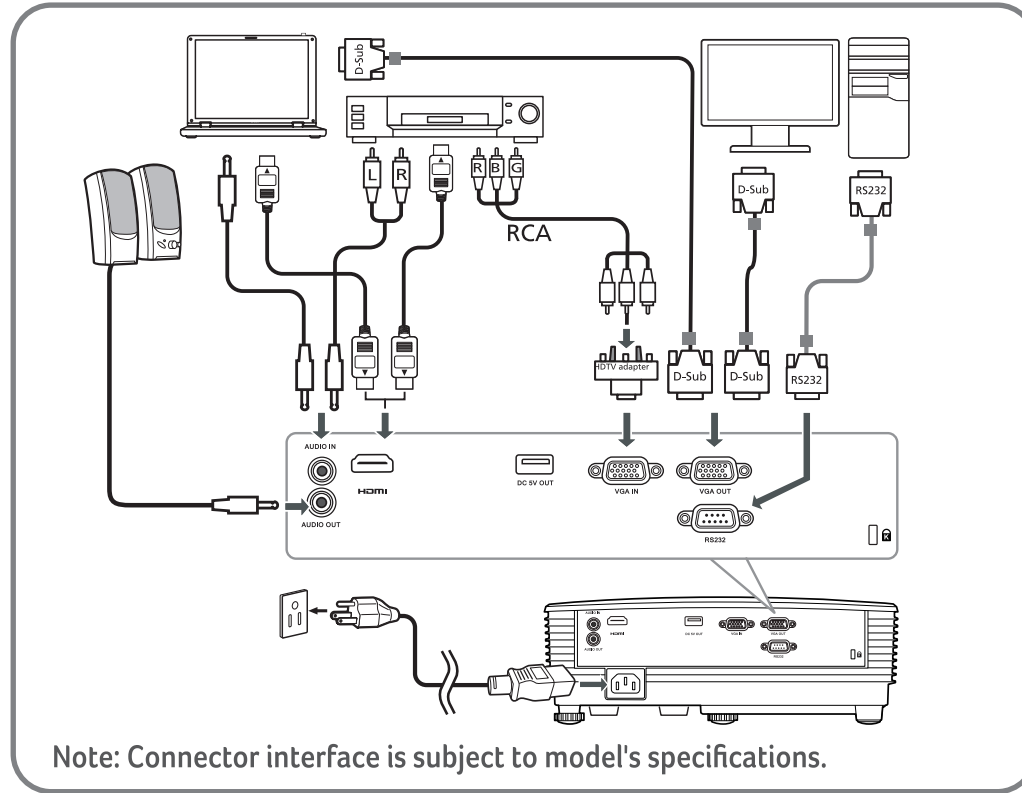






<http://go.acer.com/?id=17883>



**Warning:** Do not wipe the lens. Clean the lens under professional guidance after the projector is shut down and cooled off.

**Avertissement :** N'essuyez pas l'objectif. Nettoyez l'objectif sous la direction d'un professionnel après avoir éteint et refroidi le projecteur.

**Warnung:** Wischen Sie die Linse nicht ab. Reinigen Sie das Objektiv unter professioneller Anleitung, nachdem der Projektor ausgeschaltet und abgekühlt ist.

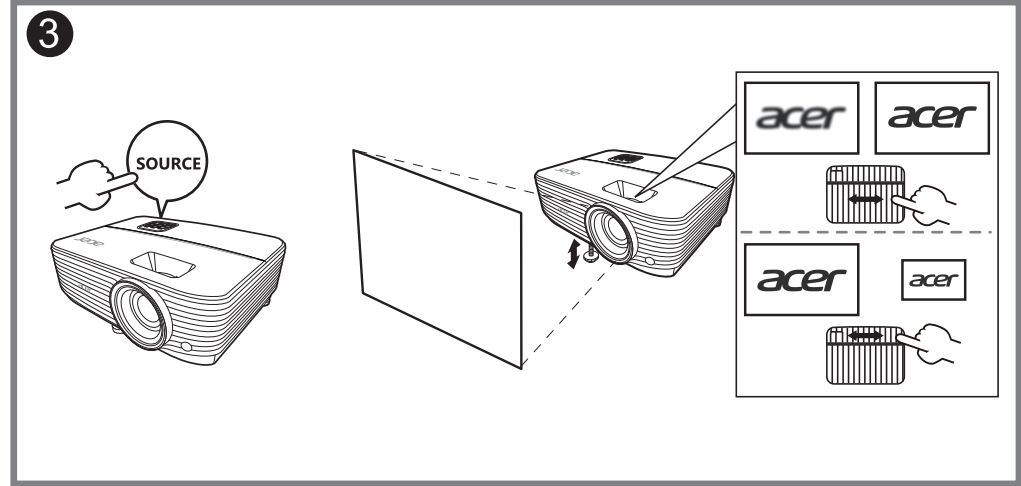
**Avviso:** non pulire l'obiettivo. Una volta spento e raffreddato il proiettore seguire le istruzioni di un professionista per la pulizia dell'obiettivo.

**Advertencia:** No limpie la lente. Limpie la lente bajo asesoramiento profesional con el proyector apagado y refrigerado.

**Aviso:** Não limpe a lente. Limpe a lente apenas com aconselhamento profissional depois de encerrar e arrefecer o projetor.

**警告:** 請勿擦拭鏡頭。請在投影機關閉並冷卻後，在專業人員指導下清潔鏡頭。

**警告:** 請勿自行擦拭鏡頭，請在專業人士指导下待機台關機並冷卻後清潔鏡頭。



### Adjusting the Image

Atur gambarnya  
 Upravit obrázek  
 Juster billede  
 Bild anpassen  
 Ajuste la imagen  
 Điều chỉnh hình ảnh  
 Ajuster l'image  
 Prilagodite sliku  
 Regolare l'immagine  
 Állítsa be a képet  
 Pas het beeld aan  
 Juster bildet  
 Dostosuj obraz  
 Ajustar a imagem  
 Отрегулируйте изображение  
 Görüntüyü ayarla  
 Reglați imaginea  
 Prilagodite sliko

Nastavenie obrazu  
 Säädä kuvaa  
 Justera bilden  
 Регулируйте изображението  
 Ρυθμίστε την εικόνα  
 調整影像  
 調整圖像  
 画像を調整  
 ปรับภาพ  
 이미지 조정  
 Podesite sliku  
 Налаштуйте зображення  
 Կարգավորեք պատկերը  
 Şekli tənzimləyin  
 გამოსახულების გასწორება  
 Кескінді түзету

اضبط الصورة

Barcode

MC.JV011.004  
 P/N: 4J.5HY01.001





Acer Incorporated  
8F, 88, Sec. 1, Xintai 5th Rd., Xizhi  
New Taipei City 221, Taiwan

## EU Declaration of Conformity

We,  
**Acer Incorporated**  
8F, 88, Sec. 1, Xintai 5th Rd., Xizhi, New Taipei City 221, Taiwan  
And,  
**Acer Italy s.r.l.**  
Viale delle Industrie 1/A, 20044 Arese (MI), Italy  
Tel: +39-02-939-921, Fax: +39-02-9399-2913  
www.acer.it

**Product:** DLP Projector  
**Trade Name:** Acer  
**Model Number:** AWX2113/A7P2114/AWX2202  
**SKU Number:** PD1325WG/LK-W325G/EW325G/K725WG/FD-225WG/  
PD1325WG+/PD1325W/LK-W325/EW325/K725W/  
FD-225W/PD1325W+/HD5385G/E235DG/HE-725G/  
GM325G/FD-225G/VD1325G/VD5325G/HD5385G/  
HD5385BD/E235D/HE-725/GM325/FD-225/VD1325/  
VD5325/HD5385/PD2325W/LK-W325R/EW325R/  
K725WR/FD-225WR/PD2325W+/HD5385R/PD2327W/  
LK-W327/EW327/K727W/FD-227W/PD2327W+/  
HD5327R/HD5390R/XD2327/HD5327

We, Acer Incorporated, hereby declare under our sole responsibility that the product described above is in conformity with the relevant Union harmonization legislations as below Directive and following harmonized standards and/or other relevant standards have been applied:

<input checked="" type="checkbox"/> <b>EMC Directive: 2014/30/EU</b>		
<input checked="" type="checkbox"/> EN 55032:2015+AC:2016-07, Class B	<input checked="" type="checkbox"/> EN 61000-3-2:2014	<input checked="" type="checkbox"/> EN 61000-3-3:2013
<input type="checkbox"/> EN 55024:2010+A1:2015	<input checked="" type="checkbox"/> EN 55035:2017+A11:2020	
<input checked="" type="checkbox"/> <b>LVD Directive: 2014/35/EU</b>		
<input checked="" type="checkbox"/> EN 62368-1:2014+A11		
<input checked="" type="checkbox"/> <b>RoHS Directive: 2011/65/EU</b>		
<input checked="" type="checkbox"/> EN 50581:2012		
<input checked="" type="checkbox"/> <b>ErP Directive: 2009/125/EC</b>		
<input type="checkbox"/> Regulation (EU) No. 617/2013	<input type="checkbox"/> Regulation (EU) No. 2019/1782; EN 50563:2011	
<input checked="" type="checkbox"/> Regulation (EC) No. 1275/2008; EN 50564:2011		

Year to begin affixing CE marking 2022.

  
RU Jan/Sr. Manager  
Acer Incorporated (Taipei, Taiwan)

Aug. 30, 2022  
Date