

12U Slide-Out Rotating Server Rack - 4 Post

PORACK12U



*actual product may vary from photos

FR: Guide de l'utilisateur - fr.startech.com

DE: Bedienungsanleitung - de.startech.com

ES: Guía del usuario - es.startech.com

NL: Gebruiksaanwijzing - nl.startech.com

PT: Guia do usuário - pt.startech.com

IT: Guida per l'uso - it.startech.com

For the latest information, technical specifications, and support for this product, please visit www.StarTech.com/PORACK12U.

Use of Trademarks, Registered Trademarks, and other Protected Names and Symbols

PHILLIPS® is a registered trademark of Phillips Screw Company in the United States or other countries.

This manual may make reference to trademarks, registered trademarks, and other protected names and/or symbols of third-party companies not related in any way to StarTech.com. Where they occur these references are for illustrative purposes only and do not represent an endorsement of a product or service by StarTech.com, or an endorsement of the product(s) to which this manual applies by the third-party company in question. Regardless of any direct acknowledgement elsewhere in the body of this document, StarTech.com hereby acknowledges that all trademarks, registered trademarks, service marks, and other protected names and/or symbols contained in this manual and related documents are the property of their respective holders.

Warning statements

Make sure that you assemble this product according to the instructions.

Read the entire manual and make sure that you understand the instructions before you start to assemble and use this product.

Never operate this product if parts are missing or damaged.

Do not exceed the weight capacity of this product. Overloading this product might result in injury or property damage. This product can support the following weight: 125 lb. (56.6 kg).

Make sure that the surface that you are attaching this product to can safely support the combined weight of the equipment and all of the hardware and components.

When you load equipment into this product, load the heaviest equipment in the bottom section of this product first. Continue loading equipment in a descending order of weight, so that the lighter equipment is installed in the upper sections of this product and the heavier items are on the bottom.

Varningsmeddelanden

Se till att du monterar produkten i enlighet med instruktionerna.

Läs hela manualen och se till att du förstår instruktionerna innan du börjar montera och använda produkten.

Använd aldrig produkten om delar saknas eller är skadade.

Överskrid inte produktens viktapparat. Överbelastning av produkten kan orsaka skada på person eller egendom. Denna produkt har stöd för följande vikter: 56,6 kg.

Se till att ytan som du fäster produkten till kan klara av den kombinerade vikten av utrustningen, all hårdvara och alla komponenter.

När du lastar produkten med utrustning, ställ in den tyngsta utrustningen i den nedersta delen först. Fortsätt ställa in utrustning i vårdordning, så att den lättare utrustningen installeras i de övre delarna och den tyngre utrustningen är längst ner.

Waarschuwingen

Zorg dat u dit product volgens de instructies in elkaar zet.

Lees de gehele handleiding en zorg dat u de instructies begrijpt voordat u dit product in elkaar zet en gebruikt.

Gebruik dit product nooit als er onderdelen ontbreken of beschadigd zijn.

Overschrijd de maximale capaciteit van dit product niet. Overbelasting van dit product kan letsel of materiële schade veroorzaken. Dit product kan het volgende gewicht ondersteunen: 56,6 kg.

Zorg dat het oppervlak waaraan u dit product bevestigt, het gecombineerde gewicht van de apparatuur en alle beveiligingsmaterialen en componenten veilig kan ondersteunen.

Wanneer u dit product met apparatuur belast, moet de zwaarste apparatuur als eerste in het onderste gedeelte van het product worden geplaatst. Ga door met het plaatsen van de apparatuur in aflopende volgorde, d.w.z. dat de lichtere apparatuur bovenin dit product en de zwaardere onderin worden geïnstalleerd.

Dichiarazioni di avvertenza

Assicurarsi di Assemblare il prodotto secondo le istruzioni.

Leggere l'intero manuale e assicurarsi di aver compreso tutte le istruzioni prima di iniziare ad assemblare e a utilizzare questo prodotto.

Non utilizzare il prodotto in presenza di parti mancanti o danneggiate.

Non superare la capacità di carico del prodotto. Il sovraccarico del prodotto potrebbe causare danni o lesioni. Il prodotto è in grado di sostenere il seguente peso: 56,6 kg.

Assicurarsi che la superficie alla quale si sta fissando il prodotto sia in grado di sostenere in sicurezza il peso combinato dell'apparecchiatura e di tutti i componenti e gli hardware.

Quando si caricano le apparecchiature all'interno del prodotto, partire da quelle più pesanti collocandole nella parte inferiore del prodotto. Continuare l'operazione in ordine decrescente di peso, in modo che le apparecchiature più leggere siano installate nelle parti superiori del prodotto e quelle più pesanti nella parte inferiore.

注意

必ず取扱説明書に従って本製品の組み立てを行ってください。

最初に取扱説明書を最後まで読み、本製品の組み立て方をすべて理解してから組み立て作業を始めください。

本製品で定められた最大積載重量を超えないようにして下さい。最大積載重量をオーバーした場合は、怪我をする恐れや器物破損の恐れがあります。本製品は、以下の重量まで対応できます：56.6 kg。

使用する装置および取り付け金具とパーツの総重量に本製品の設置面が耐えうる構造になっているか確認して下さい。

本製品に装置を積載する際は、最初に最も重い装置を一番下のセクションに入れて下さい。重い装置から順に積載し、重いものが下のセクション、軽いものが上のセクションに配置されるようにして下さい。

Avertissements

Assemblez ce produit conformément aux instructions.

Lisez tout le manuel et assurez-vous que vous comprenez les instructions avant de commencer à assembler et utiliser ce produit.

N'utilisez pas ce produit si des pièces sont endommagées ou manquantes.

Ne dépassez pas la capacité pondérale du produit. Une surcharge du produit peut entraîner des blessures ou des dommages matériels. Ce produit peut supporter : 56,6 kg.

Assurez-vous que la surface à laquelle vous fixez ce produit peut supporter le poids combiné des équipements, ainsi que de tous les éléments matériels et composants.

Lorsque vous chargez des équipements dans ce produit, chargez les équipements les plus lourds dans la partie inférieure du produit en priorité. Continuez de charger les équipements dans un ordre de poids décroissant, de sorte que les équipements les plus légers soient installés dans les parties supérieures du produit, et les éléments plus lourds dans les parties inférieures.

Mensagens de aviso

Certifique-se de que monta este produto de acordo com as instruções.

Leia todo o manual e certifique-se de que entende as instruções antes de começar a montar e a utilizar este produto.

Nunca opere este produto se faltarem peças ou estas estiverem danificadas.

Não exceda a capacidade de peso deste produto. Sobrecarregar este produto pode resultar em ferimentos ou danos de propriedade. Este produto pode suportar o seguinte peso: 56,6 kg.

Certifique-se de que a superfície à qual está a anexar este produto pode suportar em segurança o peso combinado do equipamento e todo o hardware e componentes.

Quando carregar equipamento neste produto, carregue primeiro o equipamento mais pesado no espaço inferior deste produto. Continue a carregar equipamento numa ordem decrescente de peso, de forma a que o peso mais leve seja instalado nas secções superiores deste produto e os artigos mais pesados estejam no fundo.

Advertencias de uso

Asegúrese de ensamblar este producto según las instrucciones.

Lea todo el manual y asegúrese de haber comprendido bien las instrucciones antes de proceder con el ensamblaje y el uso de este producto.

Nunca opere o ponga en funcionamiento este producto si faltan piezas o hay daños en las mismas.

Asegúrese de no exceder la capacidad de peso de este producto. La sobrecarga de este producto puede causar lesiones personales o daños en la propiedad. Este producto tiene capacidad para el siguiente peso: 56,6 kg.

Asegúrese de que la superficie a la que fijará este producto tiene capacidad para soportar de forma segura el peso conjunto del equipo instalado y todo el hardware y los componentes.

Cuando instale equipo en este producto, coloque primero el equipo más pesado en la parte inferior. Continúe con la instalación de más equipos en orden descendente de peso, a fin de que el equipo más liviano quede instalado en la parte superior y el más pesado en la parte inferior.

Warnhinweise

Beachten Sie bei der Montage dieses Produkts die Montageanweisungen.

Bevor Sie dieses Produkt montieren und verwenden, lesen Sie das gesamte Handbuch und vergewissern Sie sich, dass Sie die Anweisungen verstanden haben.

Das Produkt darf nicht bedient werden, wenn Teile fehlen oder beschädigt sind.

Überschreiten Sie nicht die Tragkraft dieses Produkts. Ein Überladen dieses Produkts kann zu Verletzungen oder zur Beschädigung des Produkts führen. Dieses Produkt ist für die nachstehende Tragkraft ausgelegt: 56,6 kg.

Vergewissern Sie sich, dass das Produkt auf der Fläche, auf der Sie es aufstellen, das kombinierte Gewicht der Geräte sowie der gesamten Hardware und aller Komponenten sicher tragen kann.

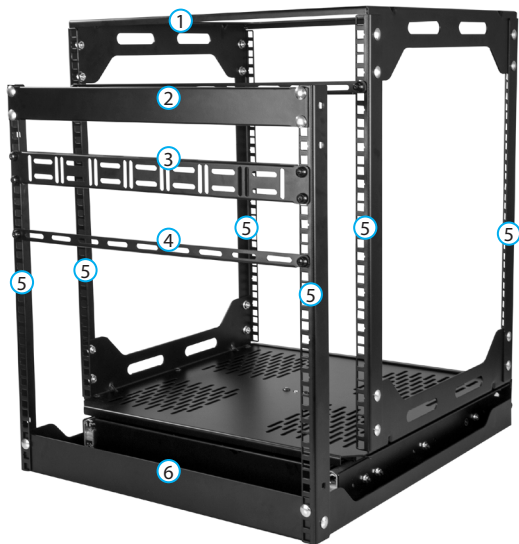
Achten Sie beim Beladen des Produkts mit Geräten darauf, zunächst das schwerste Gerät an der untersten Stelle des Produkts zu platzieren. Platzieren Sie die Geräte anschließend in absteigender Reihenfolge nach ihrem Gewicht, sodass leichtere Geräte in den oberen Abschnitten dieses Produkts installiert werden und die schwereren Geräte sicher unten befinden.

Table of Contents

Warnings	i
Product diagram	1
Back view.....	1
Front view	2
Side view	3
Product dimensions.....	4
Package contents	7
Requirements	7
Assembly	8
Attach the vertical rails	8
Attach the top bracket	9
Attach the stabilizing plate.....	10
Attach the cable manager	10
Attach the narrow cable managers	10
Attach the security plate	11
Installation	12
Install the rack	12
Load equipment	13
Rotate the rack	14
Technical support.....	16
Warranty information	16

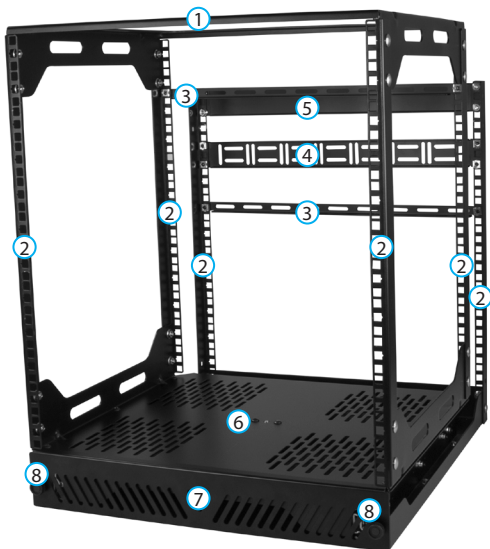
Product diagram

Back view



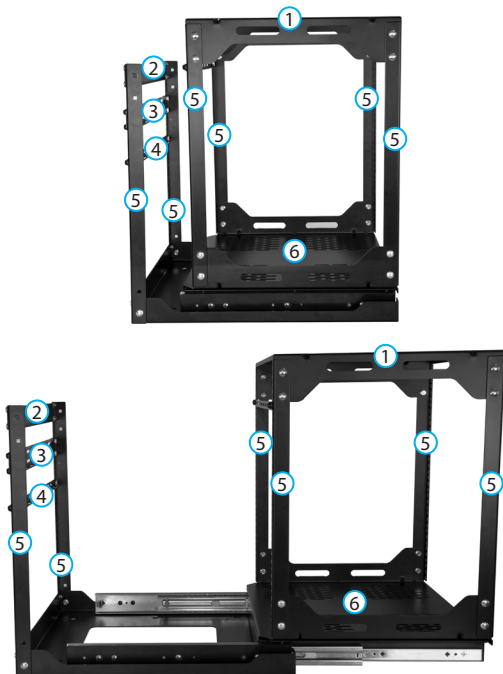
- 1 - Top bracket
- 2 - Stabilizing plate
- 3 - Cable manager
- 4 - Narrow cable manager
- 5 - Vertical rails
- 6 - Sliding tray

Front view



- 1 - Top bracket
- 2 - Vertical rails
- 3 - Narrow cable managers
- 4 - Cable manager
- 5 - Stabilizing plate
- 6 - Sliding tray
- 7 - Security plate
- 8 - Thumbscrews

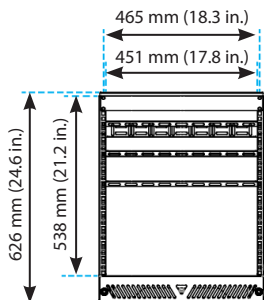
Side view



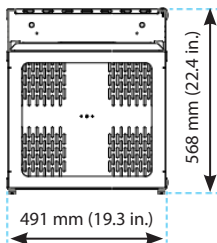
- 1 - Top bracket
- 2 - Stabilizing plate
- 3 - Cable manager
- 4 - Narrow cable manager
- 5 - Vertical rails
- 6 - Sliding tray

Product dimensions

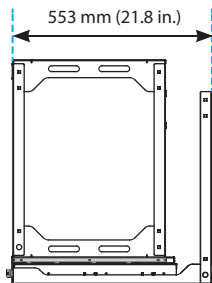
Front view



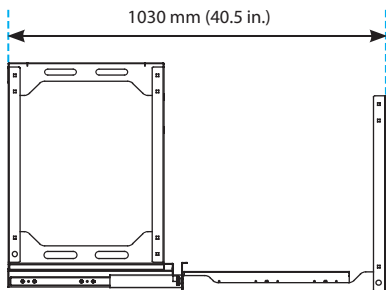
Top view



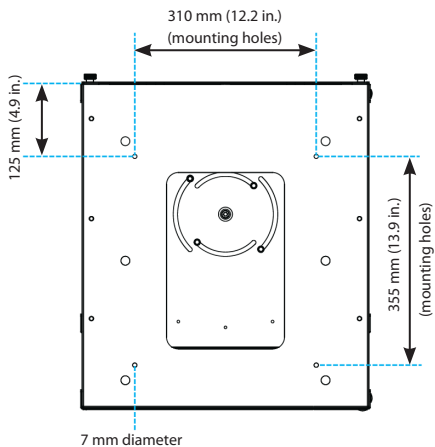
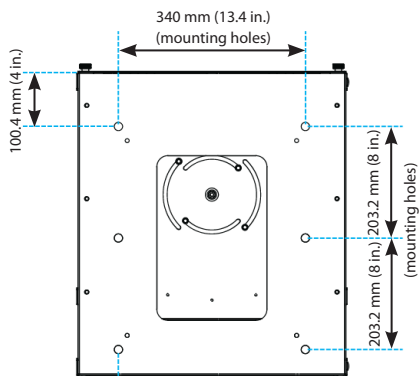
Side view (slide in)

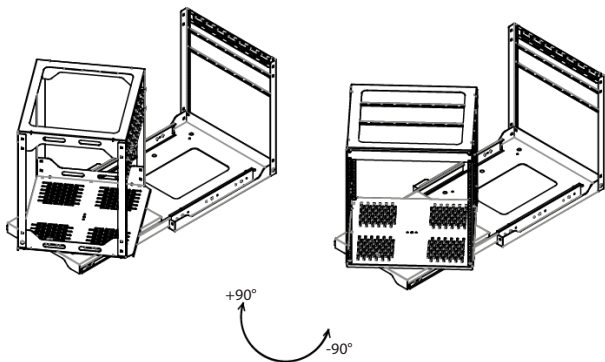


Side view (slide out)



Bottom view





Can be rotated left and right

Package contents

- 1 x sliding tray
- 1 x top bracket
- 6 x vertical rails
- 1 x stabilizing plate
- 1 x security plate
- 4 x narrow cable managers
- 1 x cable manager
- 2 x thumbscrews
- 24 x assembly screws
- 24 x assembly nuts
- 48 x M5 cage nuts
- 48 x M5 screws
- 1 x instruction manual

Requirements

- Phillips type screwdriver
- 7/16 wrench or socket driver
- Appropriate tools and installation hardware for the type of surface that you're attaching the rack to

Caution! In order to turn the rack left and right, you need to install the rack in an area that is at least 650 mm (25.5 in.) wide.

Requirements are subject to change. For the latest requirements, please visit www.StarTech.com/PORACK12U.

Assembly

To make the assembly easier to complete, consider assembling the PORACK12U with another person's assistance.

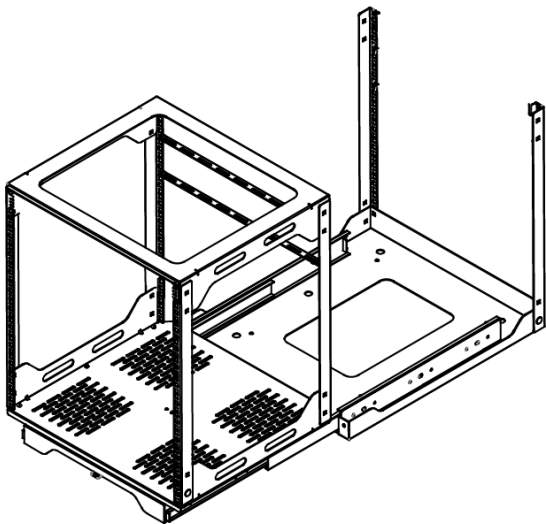
Attach the vertical rails

1. If the security plate is attached, unscrew the thumbscrews from the front of the security plate and remove it from the sliding tray.
2. Position one of the vertical rails near one of the front corners of the sliding tray.
3. Insert two of the assembly screws through the square-shaped holes on the side of the vertical rail and the sliding tray.
4. Screw an assembly nut onto each of the assembly screws.
5. Repeat steps 1 to 4 to attach three of the vertical rails to the sliding tray.
6. Position one of the vertical rails near one of the back corners of the sliding tray.
7. Insert an assembly screw through the lower square-shaped hole on the side of the vertical rail and the sliding tray.
8. Screw an assembly nut onto the assembly screw.
9. Insert an assembly screw through the U hole in the vertical rail and the sliding tray.
10. Screw an assembly nut onto the assembly screw.
11. Repeat steps 6 to 10 to attach a vertical rail on the other back corner of the sliding tray.

Attach the top bracket

1. Position the top bracket on the inside of the vertical rails that are attached to the front of the sliding tray.
2. At each of the four sides, insert two assembly screws through the vertical rails and the top bracket.
3. Screw an assembly nut onto each of the assembly screws.

When you're done attaching the vertical rails and the top bracket, the assembly should resemble the following image:



Attach the stabilizing plate

1. Position the stabilizing plate behind the two vertical rails at the back of the sliding tray.
2. At each end of the stabilizing plate, insert two assembly screws through the stabilizing plate and the vertical rails.
3. Screw an assembly nut onto each of the assembly screws.

Attach the cable manager

1. Insert two M5 cage nuts into each of the vertical rails at the back of the sliding tray.
2. Position the cable manager behind the two vertical rails and aligned with the M5 cage nuts.
3. At each end of the cable manager, insert two M5 screws through the cable manager, vertical rails, and into the M5 cage nuts.
4. Tighten the screws.

Attach the narrow cable managers

1. Insert two M5 cage nuts into the vertical rails in the places that work best in your setup.
2. Position the narrow cable managers behind the vertical rails and aligned with the M5 cage nuts.
3. At each end of the narrow cable managers, insert two M5 screws through the narrow cable managers, vertical rails, and into the M5 cage nuts.
4. Tighten the screws.

Attach the security plate

When the security plate is attached, you won't be able to pull out or rotate the rack.

1. To attach the security plate, line up the holes on the security plate with the holes on the front of the sliding tray.
2. Screw the thumbscrews into the security plate and sliding tray.

When you're done assembling the PORACK12U, it should resemble the following:



Installation

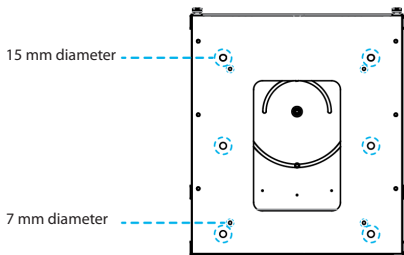
Install the rack

Caution! The PORACK12U is designed to be mounted to a flat surface. If you pull out the rack when it isn't properly mounted, you could damage your equipment and/or injure yourself and others.

Caution! In order to rotate the PORACK12U, you need to install the rack in an area that is at least 650 mm (25.5 in.) wide.

1. If the security plate is attached, unscrew the thumbscrews from the front of the security plate and remove it from the sliding tray.
2. Pull the sliding tray out from the base.
3. The PORACK12U features four mounting holes that are 7 mm in diameter and six mounting holes that are 15 mm in diameter. Depending on the type of surface that you're attaching the rack to, select the hole configuration that works best in your setup.
4. Insert the mounting hardware (not provided) into the mounting holes in the bottom of the sliding tray.
5. Push the sliding tray back into the base.
6. Screw the thumbscrews into the security plate and sliding tray.

The following is an image of the mounting hole configuration on the bottom of the sliding tray:



Load equipment

Warning! When you load equipment into the rack, load the heaviest equipment in the bottom section of the rack first. Continue loading equipment in a descending order of weight, so that the lighter equipment is installed in the upper sections of the rack and the heavier items are on the bottom.

Caution! Do not exceed the weight capacity of the PORACK12U. The rack can support up to 125 lb. (56.7 kg).

The PORACK12U comes with cage nuts and screws but the equipment you're installing may come with specific mounting hardware. Consult the documentation that came with the equipment to determine the best mounting hardware to use and how you should install it.

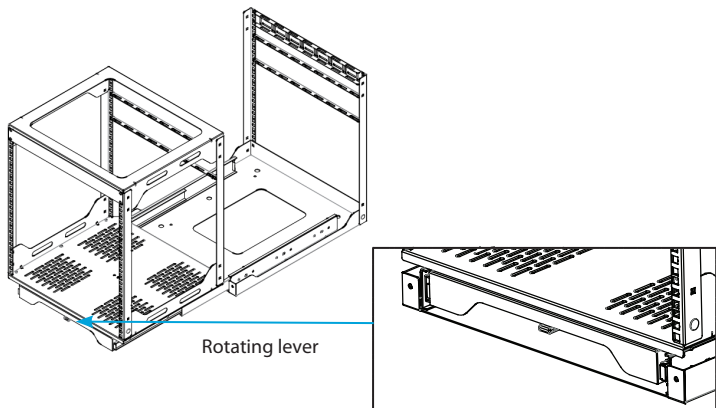
1. Insert the M5 cage nuts in the vertical rails.
2. Line up the mounting holes on the equipment with the M5 cage nuts.
3. Insert the M5 screws through the mounting holes on the equipment and into the M5 cage nuts.

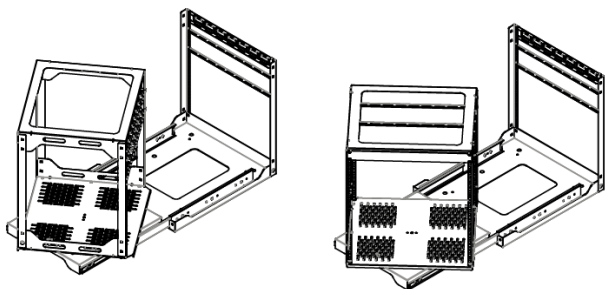
Rotate the rack

Caution! In order to rotate the PORACK12U, you need to install the rack in an area that is at least 650 mm (25.5 in.) wide.

You can rotate the PORACK12U 90° to the left or right.

1. If the security plate is attached, unscrew the thumbscrews from the front of the security plate and remove it from the sliding tray.
2. Pull the sliding tray out from the base.
3. Push down the rotating lever located at the bottom of the sliding tray.
4. Rotate the rack 90° to the left or right.
5. When you're finished, push down the rotating lever and return the rack to the 0° position.
6. Push the sliding tray back into the base.
7. Screw the thumbscrews into the security plate and sliding tray.





+90°
-90°

Can be rotated left and right

Technical support

StarTech.com's lifetime technical support is an integral part of our commitment to provide industry-leading solutions. If you ever need help with your product, visit www.startech.com/support and access our comprehensive selection of online tools, documentation, and downloads.

For the latest drivers/software, please visit www.startech.com/downloads

Warranty information

This product is backed by a two-year warranty.

StarTech.com warrants its products against defects in materials and workmanship for the periods noted, following the initial date of purchase. During this period, the products may be returned for repair, or replacement with equivalent products at our discretion. The warranty covers parts and labor costs only. StarTech.com does not warrant its products from defects or damages arising from misuse, abuse, alteration, or normal wear and tear.

Limitation of liability

In no event shall the liability of StarTech.com Ltd. and StarTech.com USA LLP (or their officers, directors, employees or agents) for any damages (whether direct or indirect, special, punitive, incidental, consequential, or otherwise), loss of profits, loss of business, or any pecuniary loss, arising out of or related to the use of the product exceed the actual price paid for the product. Some states do not allow the exclusion or limitation of incidental or consequential damages. If such laws apply, the limitations or exclusions contained in this statement may not apply to you.

Hard-to-find made easy. At StarTech.com, that isn't a slogan. It's a promise.

StarTech.com is your one-stop source for every connectivity part you need. From the latest technology to legacy products — and all the parts that bridge the old and new — we can help you find the parts that connect your solutions.

We make it easy to locate the parts, and we quickly deliver them wherever they need to go. Just talk to one of our tech advisors or visit our website. You'll be connected to the products you need in no time.

Visit www.startech.com for complete information on all StarTech.com products and to access exclusive resources and time-saving tools.

StarTech.com is an ISO 9001 Registered manufacturer of connectivity and technology parts. StarTech.com was founded in 1985 and has operations in the United States, Canada, the United Kingdom and Taiwan servicing a worldwide market.