

## 25U Adjustable 4 Post Open Frame Server Rack

4POSTRACK25U



\*actual product may vary from photos

DE: Bedienungsanleitung - [de.startech.com](http://de.startech.com)

FR: Guide de l'utilisateur - [fr.startech.com](http://fr.startech.com)

ES: Guía del usuario - [es.startech.com](http://es.startech.com)

IT: Guida per l'uso - [it.startech.com](http://it.startech.com)

NL: Gebruiksaanwijzing - [nl.startech.com](http://nl.startech.com)

PT: Guia do usuário - [pt.startech.com](http://pt.startech.com)

For the most up-to-date information, please visit: [www.startech.com](http://www.startech.com)

## **Use of Trademarks, Registered Trademarks, and other Protected Names and Symbols**

This manual may make reference to trademarks, registered trademarks, and other protected names and/or symbols of third-party companies not related in any way to StarTech.com. Where they occur these references are for illustrative purposes only and do not represent an endorsement of a product or service by StarTech.com, or an endorsement of the product(s) to which this manual applies by the third-party company in question. Regardless of any direct acknowledgement elsewhere in the body of this document, StarTech.com hereby acknowledges that all trademarks, registered trademarks, service marks, and other protected names and/or symbols contained in this manual and related documents are the property of their respective holders.

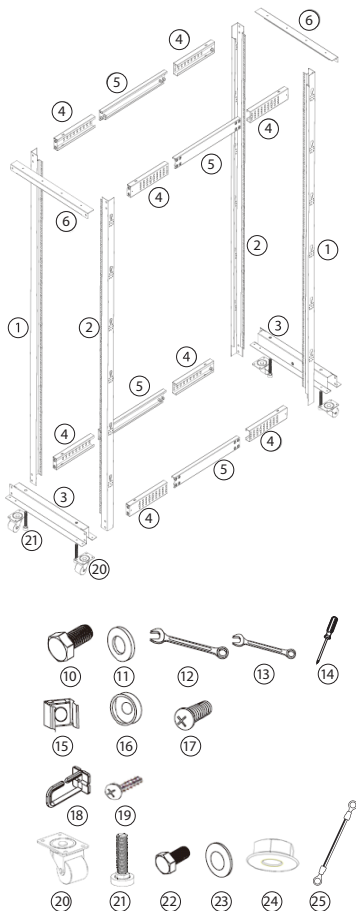
# Table of Contents

<b>Introduction</b> .....	<b>2</b>
Packaging Contents .....	2
<b>Installation</b> .....	<b>3</b>
Optional Component Installation .....	5
<b>Specifications</b> .....	<b>6</b>
<b>Technical Support</b> .....	<b>7</b>
<b>Warranty Information</b> .....	<b>7</b>

# Introduction

## Packaging Contents

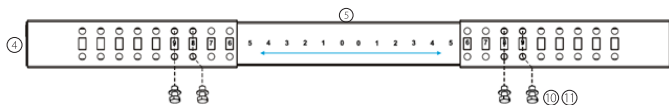
ID	Name	Qty
<b>Rack Components</b>		
1	Left Vertical Rail	2
2	Right Vertical Rail	2
3	Base Bracket	2
4	Corner Section	8
5	Center Section	4
6	Top Bracket	2
<b>Rack Assembly Hardware</b>		
10	M8 Bolt	48
11	M8 Washer	48
<b>Rack Assembly Tool</b>		
12	M8 (13 mm) Wrench	1
13	M6 (10 mm) Wrench	1
14	Phillips Screwdriver	1
<b>Equipment Mounting Hardware</b>		
15	M6 Cage Nut	32
16	PVC Cup Washer	32
17	M6 Philips-Head Screw	32
<b>Cable Management Hardware</b>		
18	Cable Management Hook	12
19	Hook Mounting Screw	12
<b>Casters and Hardware</b>		
20	Casters	4
21	Levelling Feet	4
22	M6 Screw	16
23	M6 Flat Washer	16
24	M6 Flange Nut	16
25	Grounding Wires	4



# Installation

Verify packaging contents before proceeding with assembly.

1. Assemble the Top and Bottom Beams (4 total) as shown below, adjusting for your desired mounting depth using the numbers indicated on the center section pieces (see chart below)

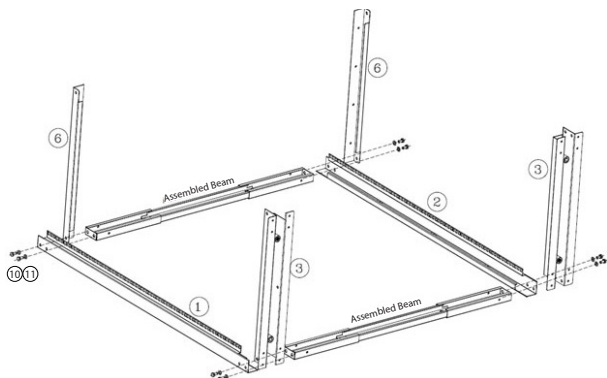


Mounting Depth	Index Numbers	Mounting Depth	Index Numbers
22 in.	0 and 0	31 in.	4 and 5
23 in.	1 and 0	32 in.	5 and 5
24 in.	1 and 1	33 in.	5 and 6
25 in.	1 and 2	34 in.	6 and 6
26 in.	2 and 2	35 in.	6 and 7
27 in.	2 and 3	36 in.	7 and 7
28 in.	3 and 3	37 in.	7 and 8
29 in.	3 and 4	38 in.	8 and 8
30 in.	4 and 4	39 in.	8 and 9
		40 in.	9 and 9

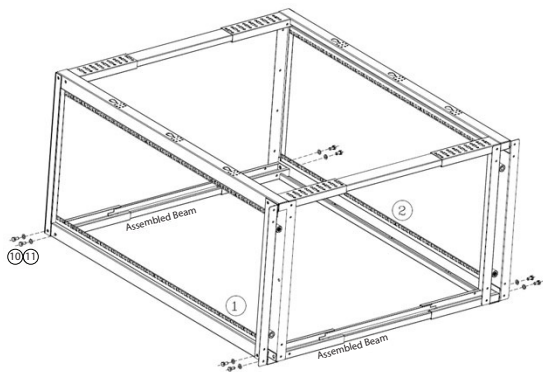
**NOTE:** Depth from 22 to 40 inches is available by adjusting the beams at corresponding silkscreen numbers on the beams.

- Using two of the Beams assembled in the previous step, line up one set of Left and Right Vertical Rails, followed by the Base and Top Bracket pieces and fasten as shown.

**NOTE:** In order to ensure all of the screw holes will line up easily, it is recommended to hand-tighten the nuts through the entire assembly process, and then fully tighten once all bolts have been inserted.

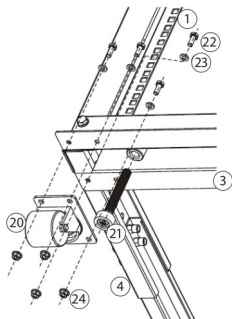


- Using the remaining two Beams assembled in step 1, line up the other set of Left and Right Vertical Rails and fasten them to the Base and Top Brackets as shown.

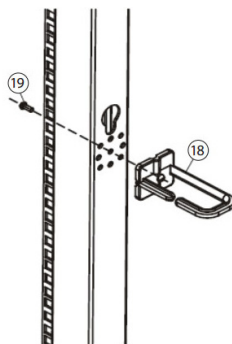


## Optional Component Installation

1. Install the Casters (4pcs) and Leveling Feet (4pcs) as shown.



2. Stand the rack upright and install the included Cable Management Hooks in your desired locations as shown.



**WARNING!** Please ensure that the rack is fully assembled with all included parts and fasteners before attempting to mount any rack equipment. Failure to install and fully tighten any hardware could severely compromise the structural integrity of the rack. If any hardware is missing, please contact StarTech.com customer service immediately.

# Specifications

<b>U Height</b>	25U
<b>Material</b>	Steel
<b>Rack Type</b>	4-Post
<b>Frame Type</b>	Open Frame
<b>Colour</b>	Black
<b>Minimum Mounting Depth</b>	22in (558.8mm)
<b>Maximum Mounting Depth</b>	40in (1016mm)
<b>Dimensions (WxHxD)</b>	23.62 x 47.85 x 26.06in (600 x 1215.35 x 661.8mm)
<b>Weight</b>	44.09lbs (20kg)



# Technical Support

StarTech.com's lifetime technical support is an integral part of our commitment to provide industry-leading solutions. If you ever need help with your product, visit [www.startech.com/support](http://www.startech.com/support) and access our comprehensive selection of online tools, documentation, and downloads.

For the latest drivers/software, please visit [www.startech.com/downloads](http://www.startech.com/downloads)

## Warranty Information

This product is backed by a two year warranty.

In addition, StarTech.com warrants its products against defects in materials and workmanship for the periods noted, following the initial date of purchase. During this period, the products may be returned for repair, or replacement with equivalent products at our discretion. The warranty covers parts and labor costs only. StarTech.com does not warrant its products from defects or damages arising from misuse, abuse, alteration, or normal wear and tear.

### Limitation of Liability

In no event shall the liability of StarTech.com Ltd. and StarTech.com USA LLP (or their officers, directors, employees or agents) for any damages (whether direct or indirect, special, punitive, incidental, consequential, or otherwise), loss of profits, loss of business, or any pecuniary loss, arising out of or related to the use of the product exceed the actual price paid for the product. Some states do not allow the exclusion or limitation of incidental or consequential damages. If such laws apply, the limitations or exclusions contained in this statement may not apply to you.

Hard-to-find made easy. At StarTech.com, that isn't a slogan. It's a promise.

StarTech.com is your one-stop source for every connectivity part you need. From the latest technology to legacy products — and all the parts that bridge the old and new — we can help you find the parts that connect your solutions.

We make it easy to locate the parts, and we quickly deliver them wherever they need to go. Just talk to one of our tech advisors or visit our website. You'll be connected to the products you need in no time.

Visit [www.startech.com](http://www.startech.com) for complete information on all StarTech.com products and to access exclusive resources and time-saving tools.

*StarTech.com is an ISO 9001 Registered manufacturer of connectivity and technology parts. StarTech.com was founded in 1985 and has operations in the United States, Canada, the United Kingdom and Taiwan servicing a worldwide market.*