



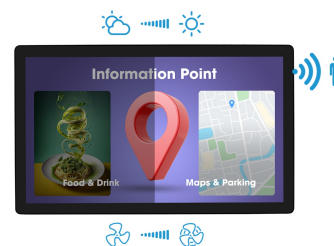
### 21.5" high-brightness touchscreen with 10 touch points PCAP touch technology for semi-outdoor applications

Built into a rugged, edge-to-edge glass bezel the ProLite OTF2216MC-B1 guarantees high durability and scratch-resistance, making it perfect for high use public facing applications. Landscape, portrait and face-up orientation ensure flexibility in any type of installation. It offers a brightness of up to 935 cd/m<sup>2</sup>, the content displayed will be visible even in very bright environments. The anti-glare display is UV resistant and IP65 protected, ensuring durability against sunlight, dust and water resistance from the front, additionally it can operate in temperatures ranging from -20°C up to +60°C. The anti-fingerprint coating ensures a smoother touch. A reliable solution for pick-up points and kiosks. A proximity sensor turns off the screen when no one is present, an ambient light sensor adjusts screen brightness, and a temperature sensor controls fan speed for cooling, resulting in energy savings and extended product durability. For ease of integration, the ProLite OTF2216MC-B1 can be equipped with optional external mounting brackets ([OMK3-1](#)) making it an ideal solution for kiosk integrators, industrial environments, control rooms and interactive multimedia.



High-brightness

The display offers a brightness of up to 935 cd/m<sup>2</sup>, so that the content displayed on the screen is clearly visible even in very bright environments.



Smart sensors

A proximity sensor turns the screen off after a while when it detects no one in the environment, an ambient light sensor adjusts the screen brightness when ambient light changes, and a temperature sensor linearly controls the fan speed, cooling the monitor when the temperature rises, resulting in energy savings and extends the durability of the product.

## 01 DISPLAY CHARACTERISTICS

Design	Open Frame
Diagonal	21.5", 54.6cm
Panel	VA
Native resolution	1920 x 1080 @60Hz (2.1 megapixel)
Aspect ratio	16:9
Panel brightness	1100 cd/m <sup>2</sup>
Brightness	935 cd/m <sup>2</sup> with touch
Light transmittance	85%
Static contrast	5000:1
Response time (BTB)	25ms
Viewing zone	horizontal/vertical: 178°/178°, right/left: 89°/89°, up/down: 89°/89°
Colour support	16.7mln 8bit
Horizontal Sync	31.4 - 82kHz
Viewable area W x H	477 x 269mm, 18.8 x 10.6"
Pixel pitch	0.248mm
Bezel colour and finish	black

## 02 TOUCH

Touch technology	projective capacitive
Touch points	10 (HID, only with supported OS)
Touch method	finger, glove (latex)
Touch interface	USB
Supported operating systems	All iiyama monitors are Plug & Play and compatible with Windows and Linux. For details regarding the supported OS for the touch models, please refer to the driver instruction file available in the downloads section.
Through-Glass	6mm
Palm rejection	yes

## 03 INTERFACES / CONNECTORS / CONTROLS

Analog signal input	VGA x1
Digital signal input	HDMI x1 DisplayPort x1
Monitor control input	RJ45 (LAN) x1
Audio output	Mini jack x1
HDCP	yes

## 04 FEATURES

Extra	anti-fingerprint coating, touch through-glass, UV resistance, ambient light sensor, proximity sensor, auto FAN control for cooling
Glass thickness	3.15mm
Glass hardness	7H
60950 Ball drop test	yes
Water and dust protection	IP65 (front)
Housing (bezel)	metal
Water tight seal	yes

## 05 GENERAL

OSD languages	EN, DE, FR, ES, IT, CN, JP
Control buttons	Menu, Scroll up / Brightness, Scroll down / Contrast, Select, Power
User controls	picture (contrast, brightness, H. position, V. position, phase, clock, auto adjust), advanced (colour temperature, sharpness), OSD (OSD timeout, OSD position, OSD H. position, OSD V. position, touch switch, factory), option (reset, language, source select, display mode, fan control, presence sensor, ambient light sensor)
Plug&Play	DDC2B

## 06 MECHANICAL

Orientation	landscape, portrait, face-up
VESA mounting	100 x 100mm
Cable management system	yes
Operation temperature range (-°/+°)	-20°C - 60°C
MTBF	60000 hours

## 07 ACCESSORIES INCLUDED

Cables	power, USB, HDMI, DP
Guides	quick start guide, safety guide
Other	AC adapter
Cable cover	yes
Remote control	external control pad

## 08 POWER MANAGEMENT

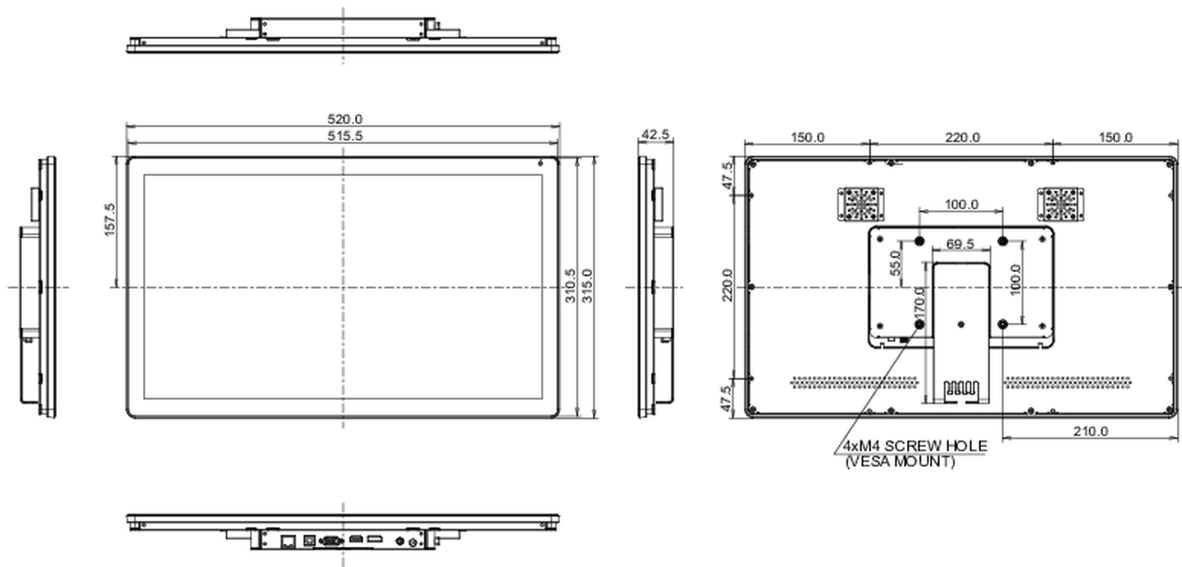
Power supply unit	external
Power supply	DC 12 V
Power usage	43W typical, 1.5W stand by, 0.3W off mode

## 09 SUSTAINABILITY

Regulations	CE, EAC, RoHS support, ErP, WEEE, cULus, REACH, UKCA
Energy efficiency class (Regulation (EU) 2017/1369)	E
REACH SVHC	above 0.1%: Lead

## 10 DIMENSIONS / WEIGHT

Product dimensions W x H x D	520 x 315 x 42.5mm
Box dimensions W x H x D	608 x 400 x 150mm
Weight (without box)	4.6kg
Weight (with box)	4.5kg
EAN code	4948570123735



All trademarks and registered trademarks acknowledged. E & O E. Specification subject to change without notice. All LCD's comply with ISO-9241-307:2008 in connection with pixel defects.

© IYAMA CORPORATION. ALL RIGHTS RESERVED